

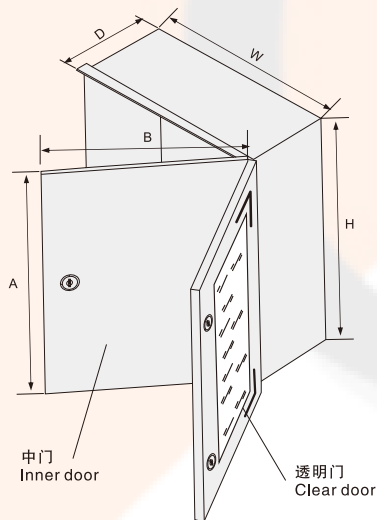
### A001 SMC Distribution box Low voltage



SMC 系列是新型的开关箱，它由玻璃纤维强化多元酯所制造，防水等级达到IP66、抗冲击力达到IK8等级。多元酯的特性是它本身混合30%玻璃纤维来强化，使它达到一个高电阻和机械刚度(IK8)。

同金属箱相比，SMC系列重量只有金属箱的1/3、更适应腐蚀、潮湿的环境等优点。

◆ Material: Fiberglass/(SMC) ◆ Color: RAL7035 ◆ Protection degree: IP66 ◆ Working temperature: -40℃ to +120℃ ◆ Mechanical impact: IK08

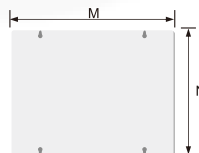


Standard lock  
model:MS-01  
package:1pc

Key lock  
model:MS705  
package:1pc



Wall mount brackets  
model:SPX-01 package:4pcs/set



环氧树脂安装底板  
Polyester mounting plate



铁安装底板  
Steel mounting plate

玻璃纤维箱Polyester box(fiber glass box)				内门Inner door			环氧树脂安装底板Polyester mounting plate			铁安装底板Steel mounting plate				
型号 Model		Dimension(mm)		型号 Model	Dimension(mm)		型号 Model		Dimension(mm)		型号 Model		Dimension(mm)	
灰门Grey door	透明门Clear door	W	H	D	中门Inner door	M	N	型号 Model	M	N	型号 Model	C	E	
SMC-302514G	SMC-302514T	250	300	140				PM-325	221	238	SM-325	263	201	
SMC-403020G	SMC-403020T	300	400	200	ID-43	364	245	PM-43	311	286	SM-43	353	245	
SMC-404020G	SMC-404020T	400	400	200	ID-44	364	345	PM-44	308	386	SM-44	349	345	
SMC-504020G	SMC-504020T	400	500	200	ID-54	464	345	PM-54	408	386	SM-54	453	345	
SMC-604023G	SMC-604023T	400	600	230	ID-64	564	345	PM-64	511	386	SM-64	553	345	
SMC-605023G	SMC-605023T	500	600	230	ID-65	564	445	PM-65	508	486	SM-65	553	447	
SMC-806030G	SMC-806030T	600	800	300	ID-86	764	545	PM-86	706	581	SM-86	749	540	